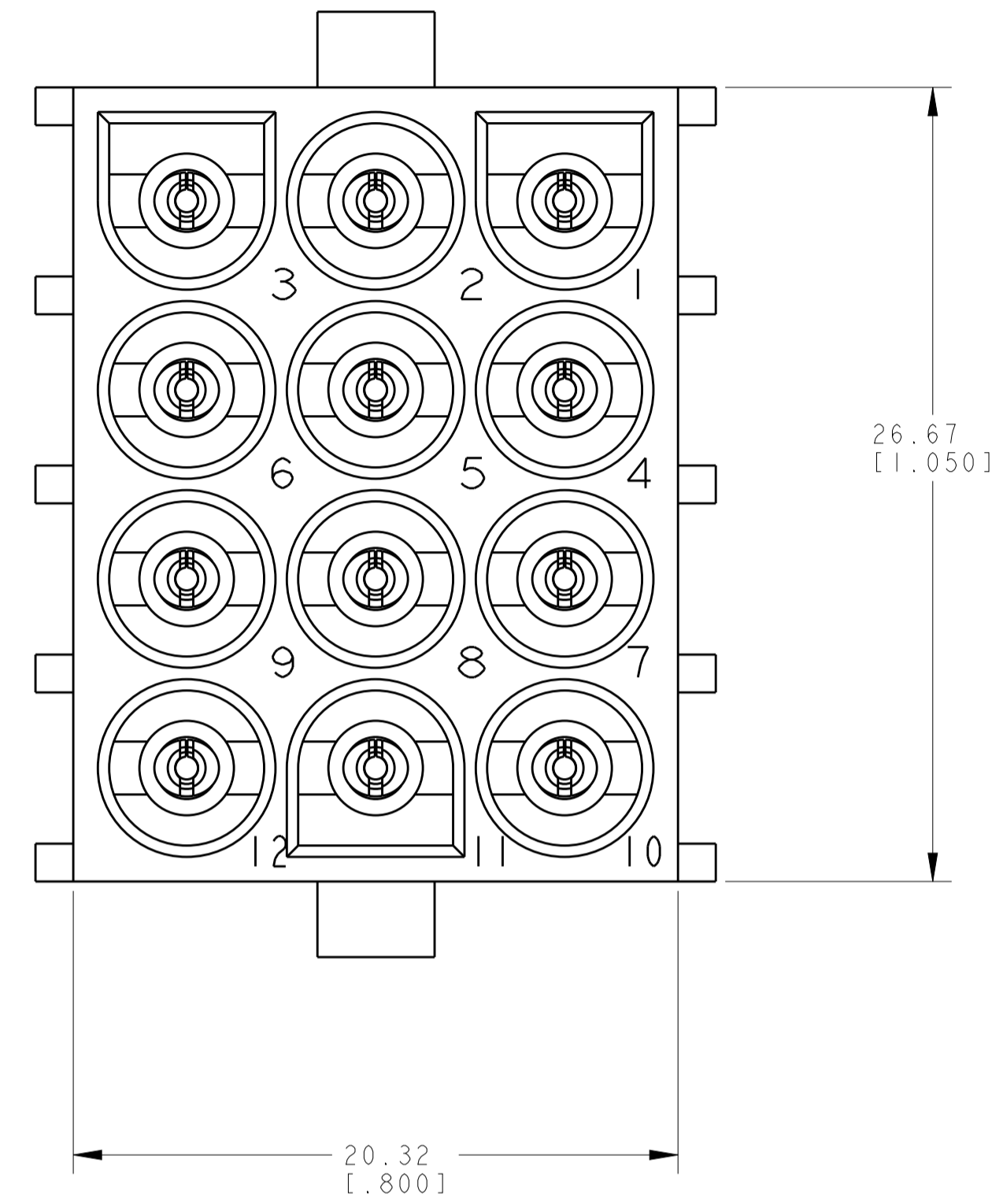
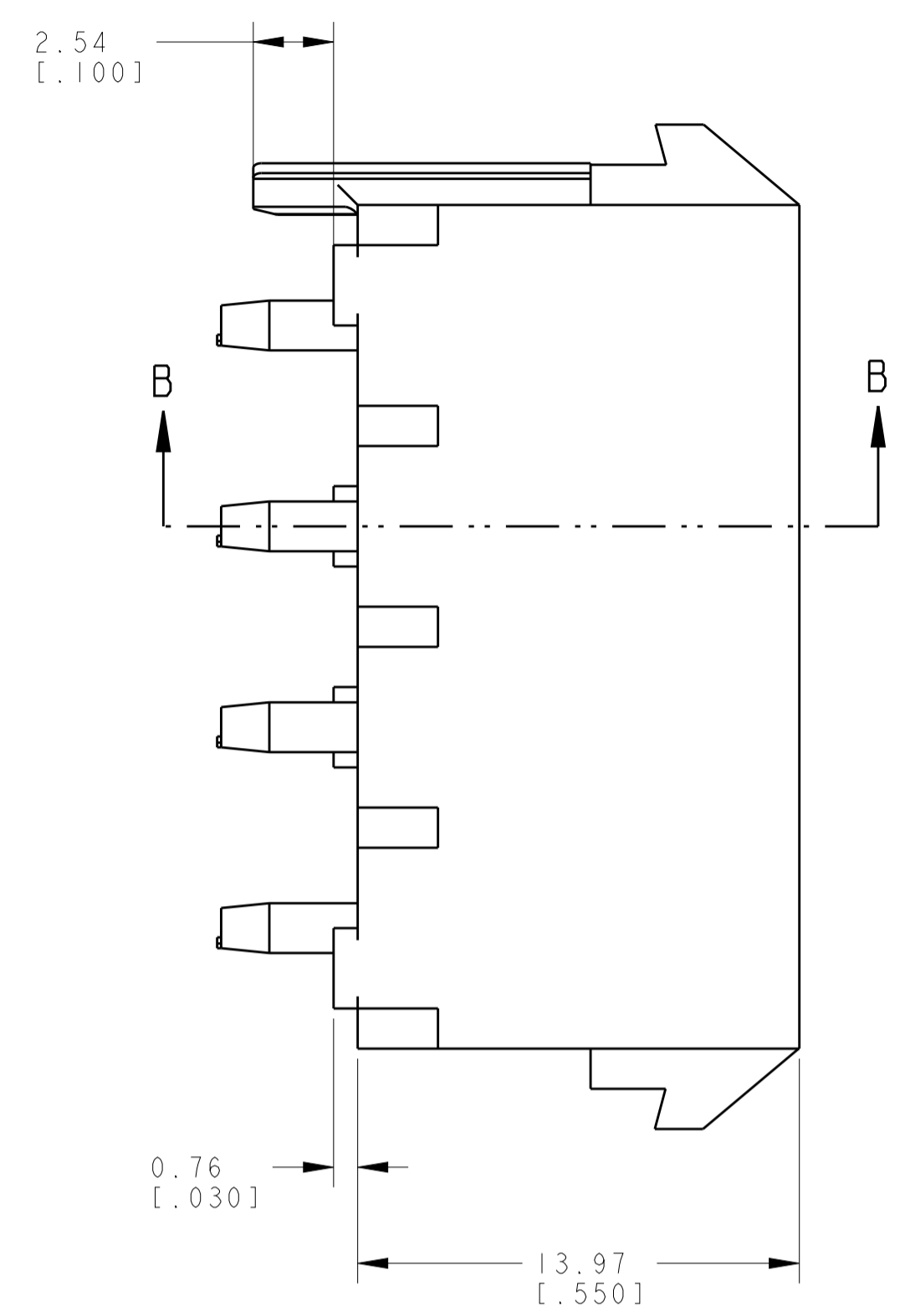
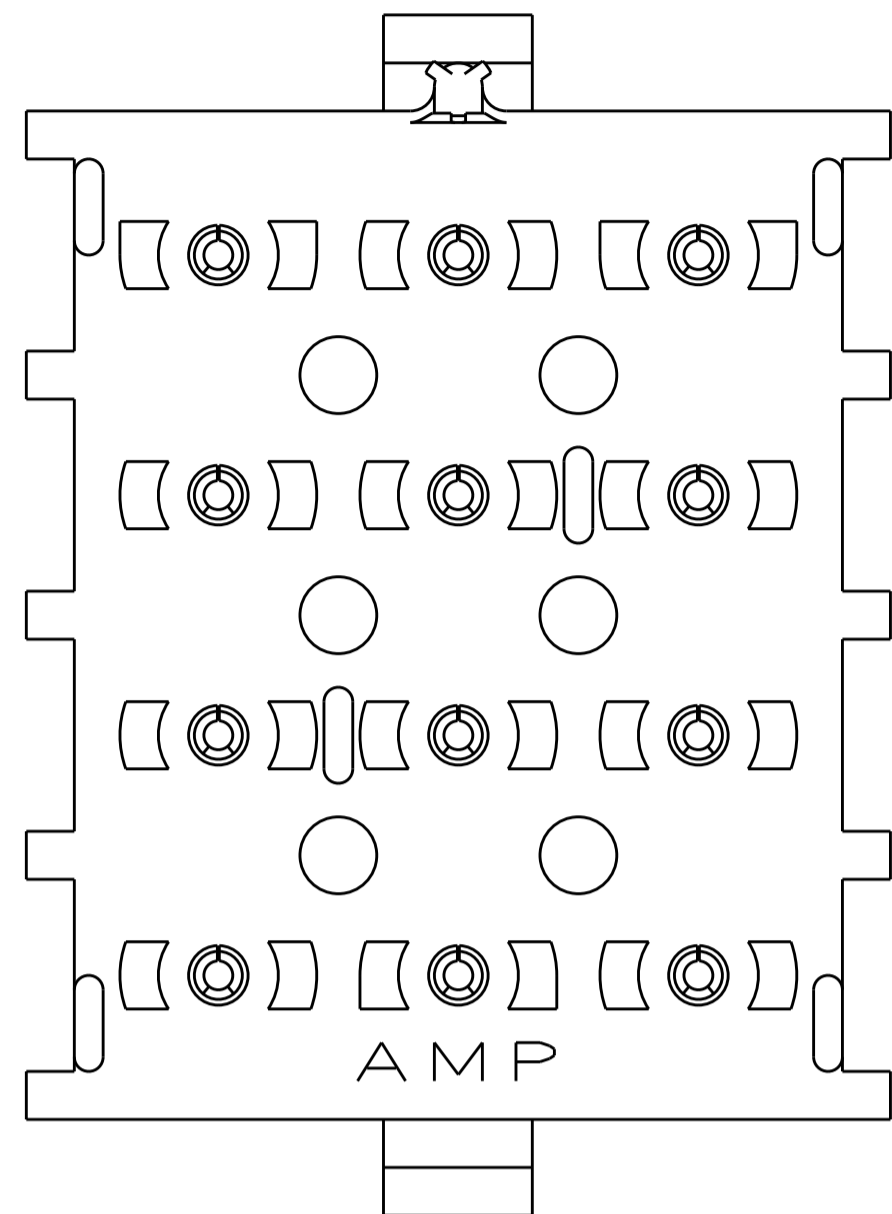
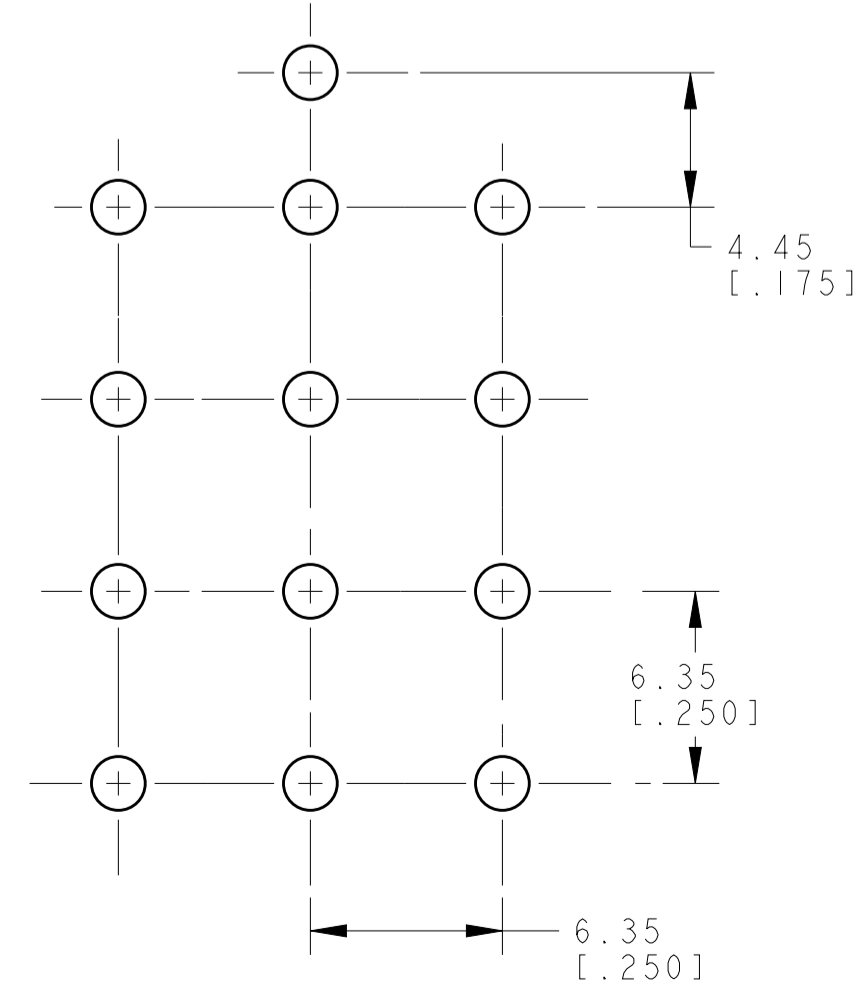
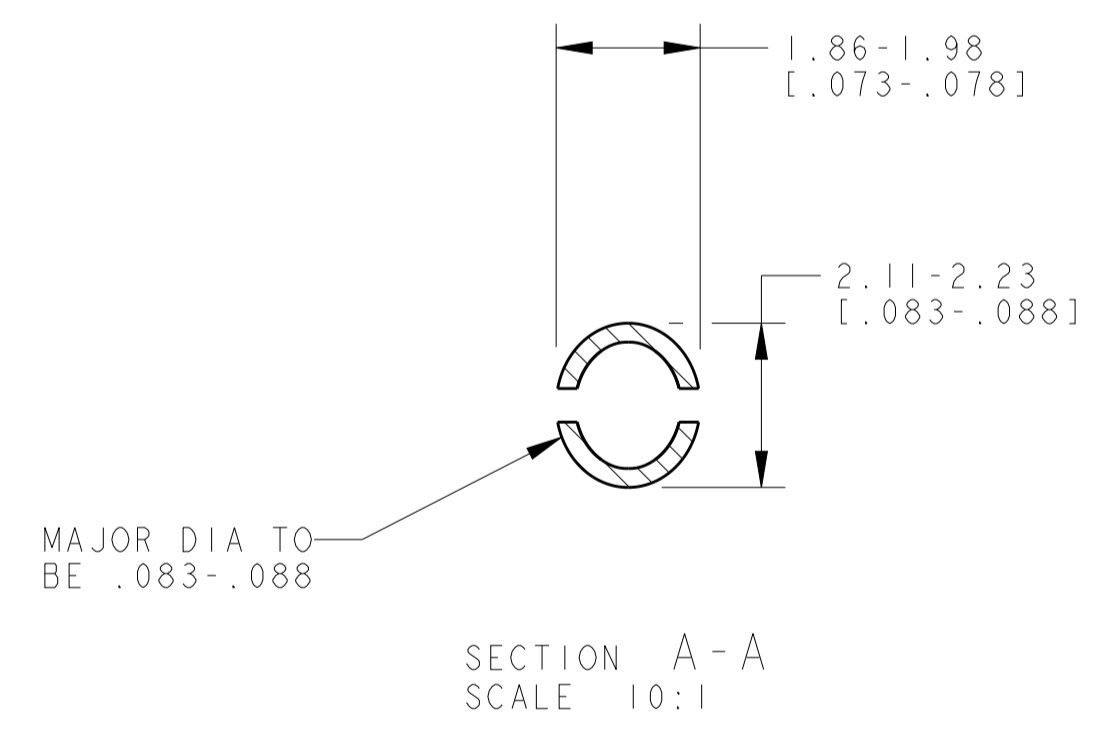
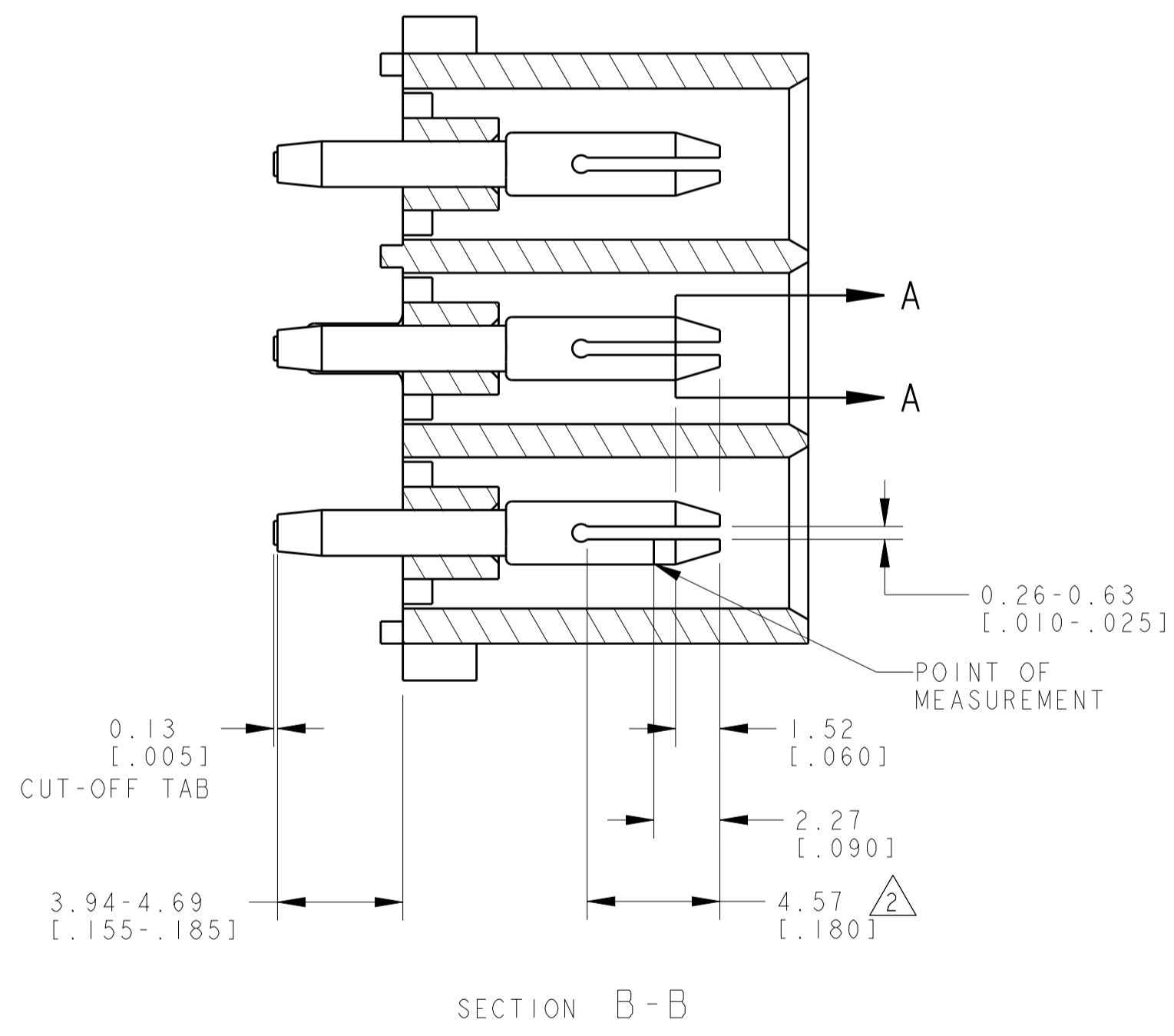


LOC		DIST		REVISIONS			
CM	00	P	LTN	DESCRIPTION	DATE	DWN	APVD
		P1		REVISED PER ECR-12-011660	24JAN2013	KH	TM



1. PARTS MUST COMPLY WITH AMP SOLDERABILITY SPEC. 109-11-3.
2. CONTACT IS PLATED OVERALL WITH 0.00127 [0.000050] NICKEL, THEN 0.00076 [0.000030] GOLD OVER CONTACT LENGTH INDICATED AND TIN LEAD ON SOLDER TAIL END.
3. CIRCUIT IDENTIFICATION ON CHARACTERS ARE ADJACENT TO THE INDICATED CAVITIES, BUT LOCATION AND ORIENTATION MAY DIFFER FROM PRINT.
4. CONTACT IS PLATED OVERALL WITH 0.00127 [0.000050] NICKEL, THEN 0.00076 [0.000030] GOLD OVER CONTACT LENGTH INDICATED AND MATTE TIN ON SOLDER TAIL END.
5. SUPERSEDED BY 641974-3



RECOMMENDED HOLE PATTERN
 1.57 [.062] THICK PC BOARD

METRIC

PH BRZ	PRE-TIN	NYLON, 94V-0	BLACK	1-641974-1
PH BRZ	GOLD ⁴	NYLON, 94V-0	WHITE	641974-3
PH BRZ	GOLD ²	NYLON, 94V-0	WHITE	641974-2
PH BRZ	PRE-TIN	NYLON, 94V-0	WHITE	641974-1
MATERIAL	FINISH	MATERIAL	COLOR	PART NO
PIN			HOUSING	

THIS DRAWING IS A CONTROLLED DOCUMENT.		DWN R. WHITAKER 14OCT2005	STE TE Connectivity	
DIMENSIONS: INCHES		CHK S. RIDGILL 14OCT2005	NAME HEADER ASSEMBLY, PIN UNIVERSAL MATE-N-LOK (TM), (STANDARD TAIL)	
TOLERANCES UNLESS OTHERWISE SPECIFIED: 0 PLC ± 1 PLC ± 2 PLC ± 3 PLC ±.005 4 PLC ± ANGLES ±40°/30°		APVD S. RIDGILL 14OCT2005	PRODUCT SPEC APPLICATION SPEC	
MATERIAL	FINISH	WEIGHT	SIZE A100779	RESTRICTED TO C=641974
CUSTOMER DRAWING		SCALE 5:1	SHEET 1 OF 1	REV P1